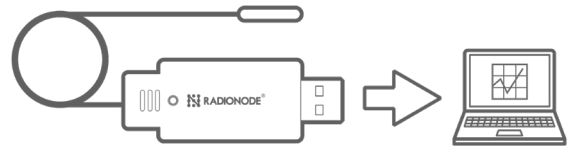




Thermocouple Temperature Transmitter via USB

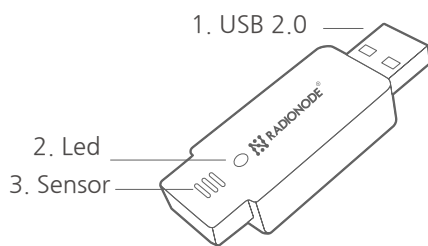
UA11-CTS

- 2CH Real-Time Temperature Transmitter
- T type Thermocouple Support
- a Pre-Calibrated Sensor Included
- Operating On Windows/ Linux / MacOS
- AT Command Support
- PC Recording Software (Tapaculo Lite)
- Android Recording App. (Tapaculo Mobile)

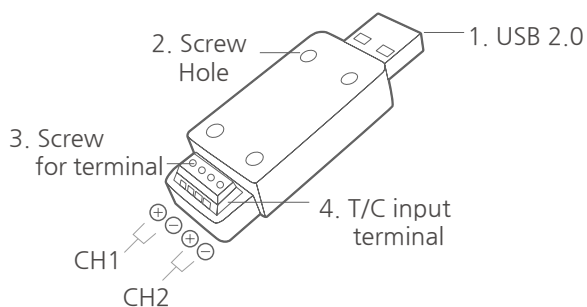


The UA11 device has a two thermocouple input port. It transmits the two channel temperature information to host devices in real-time via the USB connector. It does not have a battery and a memory to store samples inside. The UA Series is automatically recognized as a serial port on operating system and accessed using the AT command. Multiple USB connection of UA device could compose the multi-channel sensor. 128CH real time monitoring software, Tapaculo Lite is downloadable on our website(www.radionode365.com). And android real time recording application is also available from google play store. Optional RN17X model helps UA series for you to setup remote web monitoring system.

Hardware

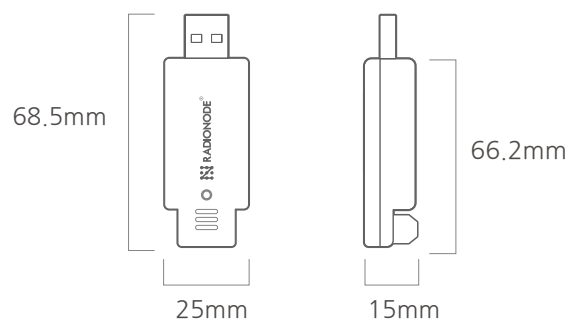


<Front>



<Bottom>

Dimensions



Notice

- Download the Tapaculo Lite (monitoring software on PC) **from www.radionode365.com**.
- Download the Tapaculo Mobile (monitoring software on Android) from google play store.

Contact Information

- www.radionode365.com
- master@dekist.com



Thermocouple Temperature Transmitter via USB

UA11-CTS Specifications

Power	5V(USB Power), 50mW
External Sensor	Thermocouple T Type
Temp Scale	°C(Default) / °F
Sensing Interval	Min: 100ms
Operating Range	Temp : -40 ~ 80°C Humidity: 5 ~ 95%RH
LED	Device Status Indicator • RED KEEP ON : USB connection Failed • GREEN BLINK : Measuring Sensors
Measurement Range	-100 ~ 300°C
Accuracy	±0.8°C
Resolution	±0.07°C
Input	2CH(1CH: Temp, 2CH: Temp)
Output	USB Digital (AT command) ex> ATCD 12.11, 23.41
USB Port	USB 2.0 Type A Plug
Software Support	*Tapaculo Lite > 128CH recording software on PC *Tapaculo Mobile > 2CH recording software on Android devices *Calibration Software > Calibrator that compensate measuring error.

Application

- Food storage sites(refrigerators, freezers)
- Bio-labs
- Building energy usage monitoring
- Medicine and medical goods storage sites
- Semiconductor production lines

Product Components

Model	Component
UA11-CTS	<ul style="list-style-type: none"> • UA1-CTS(1EA) • Thermocouple T Type(1EA, 3M, -100~200°C) • Calibration Certificate(1EA)

Accessories

Type	Model Number	Spec.
Thermocouple T Type	PR-T1-3	<ul style="list-style-type: none"> • Measurement Range: -100 ~ 200°C • Length: 3 Meter
	PR-T1-15	<ul style="list-style-type: none"> • Measurement Range: -100 ~ 200°C • Length: 15 Meter
Converter (USB → LAN)	RN171	<ul style="list-style-type: none"> • Supports cloud monitoring • Supports MODBUS TCP/HTTP data transmission • Power: PoE 48V, IEEE802.3af/at, DC6V, 1.9W
Converter (USB → WIFI)	RN172	<ul style="list-style-type: none"> • Supports cloud monitoring • Supports MODBUS TCP/HTTP data transmission • Power: DC6V, 2.4W