



## Particle Counter Data Logger via WiFi

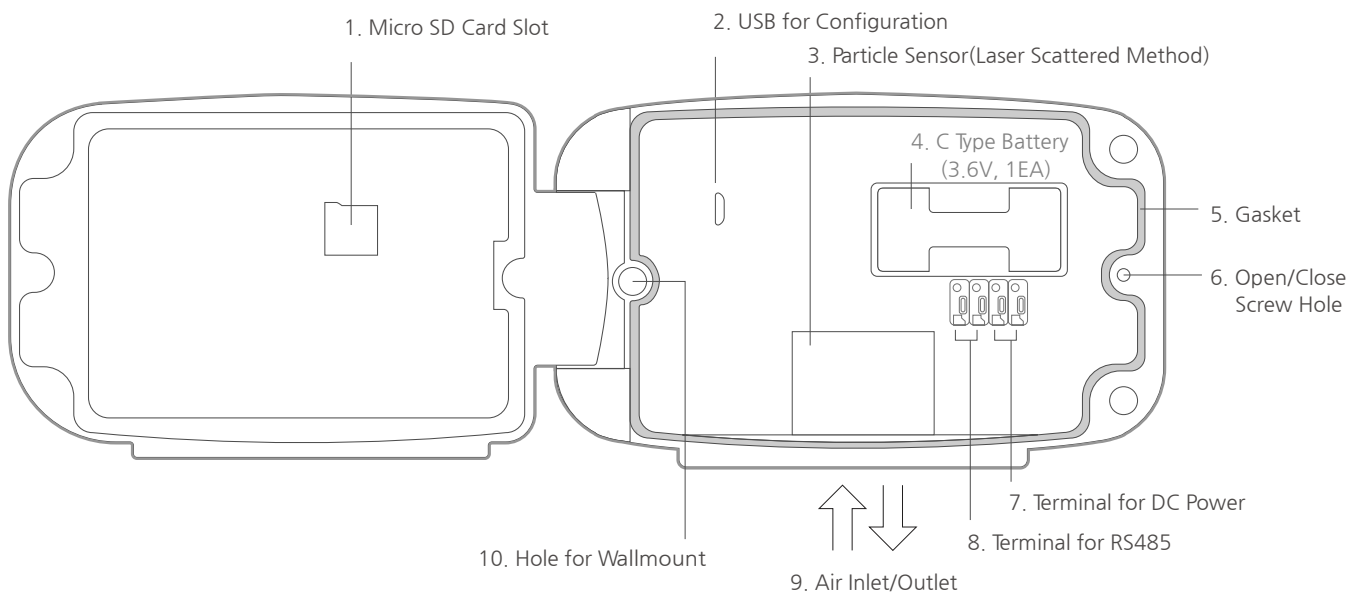
# RN400-T2PM

- WiFi support b/g/n 2.4GHz(WPA2-ENT)
- PM0.5 / 1.0 / 2.5 / 4.0 / 10.0 Support
- High Accuracy( $\pm 10\mu\text{m}/\text{m}^3$ )
- RS485 Output MODBUS RTU
- Cloud Storage / HTTP Output via WiFi
- C-Type 3.6V Battery / DC 12V
- OLED Display / Micro SD / Backup F-RAM



RN400-T2PM is designed to measure particles in the air. It uses the laser scattered technology to measure the number of particle and the mass of particle. RN400-T2PM supported  $\mu\text{g}/\text{m}^3$ ,  $\#/ \text{m}^3$ ,  $\#/ \text{ft}^3$  and  $\text{mg}/\text{m}^3$  as a measuring unit. all the particle data are transferred to the destination via WiFi connection. The destination would be an information system such as public cloud, local server and even PC. For high level security, it supports up to WPA2-Enterprise protocol. In addition to WiFi, RN400-T2PM can send the measured data to other traditional industrial devices such as PLC, industrial recorder and others through RS485 output. Premium RN400 T2 series have IP65 for protection, OLED screen for cold outdoor, F-RAM memory for instant backup and micro-SD card for CSV backup.

### Hardware



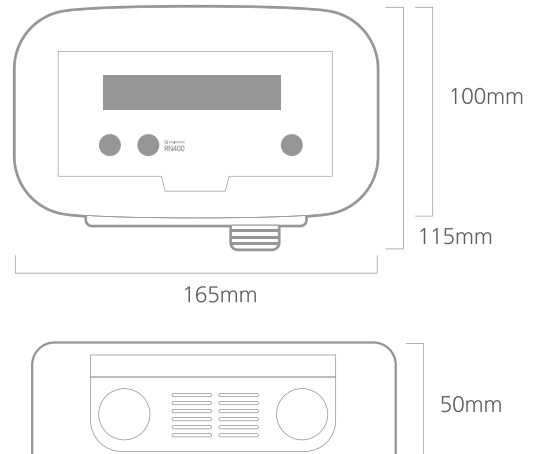


## Particle Counter Data Logger via WiFi

### Specifications

Communication Method	<ul style="list-style-type: none"> <li>2.4GHz IEEE 802.11 b/g/n up to WPA2-Enterprise</li> <li>HTTP Get/Post (Radionode V2 protocol)</li> <li>RS485 MODBUS RTU</li> </ul>	
Particle Sensor Channel Info.	Laser Scattered Method <ul style="list-style-type: none"> <li>CH1: PM 2.5    CH2: PM10.0    CH3: PM0.5</li> <li>CH4: PM1.0    CH5: PM4.0    CH6: Size um</li> </ul>	
Channels For Display	<ul style="list-style-type: none"> <li>CH1: PM 2.5    CH2: PM10.0    CH3: PM0.5</li> </ul>	
Particle Size	0.5µm ~ 10.0 µm (PM 0.5 ~ PM 10.0)	
Flow Rate	0.3L / min	
Fan Working Time	<ul style="list-style-type: none"> <li>Battery mode : 15sec before measurement</li> <li>DC power mode : Continuous working with Auto cleaning (24h)</li> </ul>	
Particle Unit	µg/m <sup>3</sup> , #/cm <sup>3</sup> , #/ft <sup>3</sup> , #/m <sup>3</sup> (#.number)	
Sampling Mode	Cumulative	Differential (Norm.)
	PM 0.5 : 0.3 µm ~ 0.5 µm PM 1.0 : 0.3 µm ~ 1.0 µm PM 2.5 : 0.3 µm ~ 2.5 µm PM 4.0 : 0.3 µm ~ 4.0 µm PM 10.0 : 0.3 µm ~ 10 µm	PM 0.5 : 0.3 µm ~ 0.5 µm PM 1.0 : 0.5 µm ~ 1.0 µm PM 2.5 : 1.0 µm ~ 2.5 µm PM 4.0 : 2.5 µm ~ 4.0 µm PM 10.0 : 4.0 µm ~ 10 µm
Even if Mass Unit is selected, PM 0.5 is displayed as # / cm <sup>3</sup> .		
Mass Concentration Accuracy	<ul style="list-style-type: none"> <li>0 to 100 µg/m<sup>3</sup> ± 10 µg/m<sup>3</sup></li> <li>100 to 1,000 µg/m<sup>3</sup> ± 10 %<sup>3</sup></li> </ul>	
Operating Condition	-10 ~ 60 °C (-50 ~ 140°F) / 0 ~ 95 %RH (non-condensing)	
Display Type (Color)	OLED 20X2 CHAR (White)	
Sensing Interval	1min, 5mins, 10mins, 20mins, 30mins	
Sending Interval	5mins, 10mins, 20mins, 30mins, 40mins, 60mins	
Internal Memory	F-RAM (Automatic Sample Backup available when no wifi)	
External Memory	Option (16GB microSD, Permanent logging)	
Data Storage	Cloud Storage in Tapaculo365	
Battery / Lifespan	3.6V Li-SOCL2 X 1EA / 3 month (C Type 3.6V 1EA @10mins sensing)	
Protection	Rubber Gasket Surrounded except air inlet & outlet	
External Power / UPS	5~30V DC / YES (When DC Power Shutdown, the source is changed into the Battery immediately)	
How To Setup	PC Setup Software via USB Cable	
Wall Mount Types	Magnet & Screw Hole	
Air Inlet/Outlet	Bottom side of the product	
Weight	352 g	

### Dimensions



### Application

- Centralized Particle Monitoring System
- Big Data Analysis System
- Remote Alert System / HVAC Control System

### Product Components

- RN400-T2PM
- Cable Glands (PG11 1EA)
- C Type Battery

### Additional Accessories

Type	12V DC Power Adaptor
Model	AP-P1
Length	3 M
Spec	12V 500mA (+: Red, -: Black)

### Contact Information

- www.radionode365.com
- master@dekist.com